

Miele

Operating and installation instructions







Cooker hood DA 2900 DA 2900 EXT

To avoid the risk of accidents or damage to this appliance, it is **essential** to read these instructions before it is installed and used for the first time.

en - GB

M.-Nr. 09 725 030

Contents

Caring for the environment	3
Warning and Safety instructions	4
Guide to the appliance	10
Description of the functions	12
Miele@home	13
Con@ctivity	13
Operation	14
Remote control	14
To switch the fan on ①	14
To select a power level – / +	14
Intensive setting	14
Run-on option 5  15	15
Hob lighting 	15
Power management	16
Filter operating hours counter  	17
Cleaning and care	19
Housing	19
Panels and grease filters	20
Resetting the grease filter operating hours counter	23
Fitting and replacing the charcoal filters	24
Resetting the charcoal filter operating hours counter	24
Remote control	25
Installation	26
Appliance dimensions	26
Safety distance between hob and cooker hood (S)	28
Installation instructions	29
Connection for air extraction	30
Condensate trap	31
Silencer	32
Electrical connection	33
Operation with Control module DSM 400	34
Potential free connection	34
Connection to a push button switch	34
After Sales Service	35
Technical data	36
Declaration of Conformity	36

Disposal of the packing material

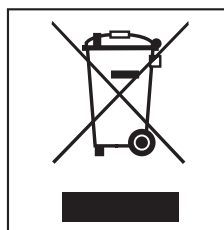
The packaging is designed to protect the appliance from damage during transportation. The packaging materials used are selected from materials which are environmentally friendly for disposal, and should be recycled.

Recycling packaging reduces the use of raw materials in the manufacturing process and also reduces the amount of waste in landfill sites.

Packaging e.g. cling film, polystyrene and plastic wrappings must be kept out of the reach of babies and young children. Danger of suffocation!

Disposal of your old appliance

Electrical and electronic appliances often contain valuable materials. They also contain materials which, if handled or disposed of incorrectly, could be potentially hazardous to human health and to the environment. They are, however, essential for the correct functioning of your appliance. Please do not therefore dispose of it with your household waste.



Please dispose of it at your local community waste collection / recycling centre or contact your dealer for advice. Ensure that it presents no danger to children while being stored for disposal.

Warning and Safety instructions

This appliance complies with all relevant safety requirements. Improper use can, however, present a risk of both personal injury and damage to property.

To avoid the risk of accidents and damage to the appliance, please read these instructions carefully before using it for the first time. They contain important information on its safety, installation, use and maintenance.

Keep these instructions in a safe place and ensure that all users are familiar with the contents. Pass them on to any future owner of the appliance.

Correct application

► This appliance is intended for use in domestic households and in similar working and residential environments such as:

- Shops
- Offices and showrooms

and by residents in establishments such as:

- Hostels and guest houses.

► It must only be used as a domestic appliance to extract vapours and remove odours from cooking.

Any other usage is not supported by the manufacturer and could be dangerous. Miele cannot be held liable for damage resulting from incorrect or improper use or operation.

► The cooker hood is not intended for outdoor use.

► This appliance can only be used by people with reduced physical, sensory or mental capabilities, or lack of experience or knowledge, if they are supervised whilst using it or have been shown how to use it in a safe way and understand the hazards involved.

Safety with children

► The appliance is not a toy! To avoid the risk of injury, do not allow children to play with the appliance or the remote control.

► Children under 8 years of age must be kept away from the cooker hood unless they are constantly supervised.

► Children 8 years and older may use the cooker hood only if they have been shown how to use it in a safe way and understand the hazards involved.

► Keep the battery in the remote control out of the reach of children.

Technical safety

► Before installation, check the cooker hood for visible signs of damage. Do not install and use a damaged appliance. It could be dangerous.

► Before connecting the appliance to the mains supply, make sure that the voltage and frequency details given on the data plate correspond with the household electricity supply, otherwise the appliance could be damaged. Consult a qualified electrician if in any doubt.

► The electrical safety of this appliance can only be guaranteed if it is correctly earthed. It is most important that this basic safety requirement is observed and tested regularly, and where there is any doubt, the household wiring system should be inspected by a qualified electrician. The manufacturer cannot be held liable for the consequences of an inadequate earthing system (e.g. electric shock).

► For safety reasons, this appliance may only be used when it has been fully installed.

► Only open the housing as described in the instructions given in the installation sheet and in the Cleaning and care section of this booklet. Under no circumstances should any other parts of the housing be opened. Tampering with electrical connections or components and mechanical parts is highly dangerous to the user, and can cause operational faults.

► Installation, maintenance and repairs may only be carried out by a Miele authorised person in strict accordance with current national and local safety regulations. Repairs and other work by unqualified persons could be dangerous. The manufacturer cannot be held liable for unauthorised work.

► Faulty components must only be replaced by genuine Miele original parts. The manufacturer can only guarantee the safety of the appliance when Miele replacement parts are used.

Warning and Safety instructions

▶ During installation, maintenance and repair work, the appliance must be disconnected from the mains electricity supply.

▶ Do not connect the appliance to the mains electricity supply by a multi-socket adapter or an extension lead. These do not guarantee the required safety of the appliance (e.g. danger of overheating).

▶ For appliances with an external fan motor (...EXT models) the connection of the two units must be made using the connection cable and the plug connectors.

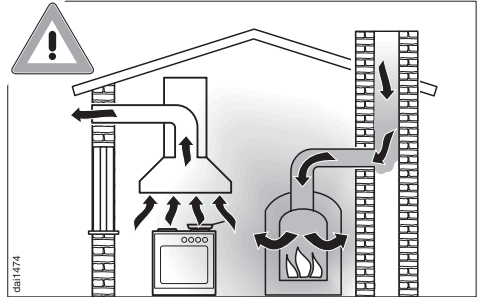
These models may only be combined with a Miele external motor.

▶ The appliance must not be used in a non-stationary location (e.g. on a ship).

▶ In areas which may be subject to infestation by cockroaches or other vermin, pay particular attention to keeping the appliance and its surroundings in a clean condition at all times. Any damage which may be caused by cockroaches or other vermin will not be covered by the guarantee.

Using at the same time as other heating appliances that depend on the air from the room

Warning - danger of toxic fumes



▶ Great care should be taken when using the cooker hood at the same time and in the same room or area of the house as another heating appliance which depends on the air in the room. Such appliances include gas, oil, wood or coal-fired boilers and heaters, continuous flow or other water heaters, gas hobs, cookers or ovens which draw air in from the room and duct exhaust gases out through a chimney or extraction ducting.

When used in extraction mode, with or without an external motor fitted, the appliance draws air in from the room in which it is installed **and** from neighbouring rooms.

If there is insufficient air, an underpressure will occur. The heating appliance may be starved of oxygen, impairing combustion.

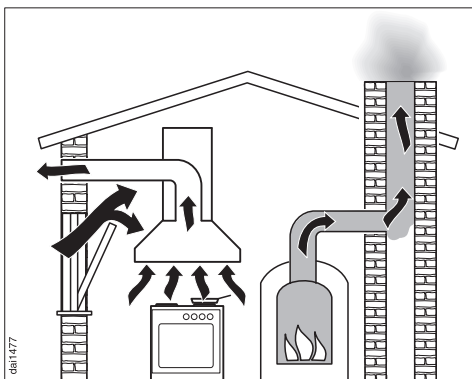
Harmful gases could be drawn out of the chimney or extraction ducting back into the room, with potentially fatal consequences.

Warning and Safety instructions

This also applies to recirculation mode if the air is being directed out of the kitchen.

In order to ensure safe operation, and to prevent gases given off by the heating appliances from being drawn back into the room when the cooker hood and the heater are in operation simultaneously, an underpressure of 0.04 mbar (4 pa) is the maximum permissible in the room.

If the hood is being operated in recirculation mode and the air is being directed back into the kitchen, the above restrictions do not apply.



Ventilation can be maintained by air inlets which must not be blocked, in windows, doors and outside wall vents, or by other technical measures, such as ensuring that the cooker hood can only be switched on when the heating appliance is switched off or vice versa. A ventilation brick alone is not generally sufficient to ensure safe ventilation.

⚠ The overall ventilation condition of the dwelling must be taken into account. If in any doubt, the advice of a competent builder or, for gas, a qualified gas fitter (GasSafe registered in the UK) must be sought.

Warning and Safety instructions

Correct use

▶ Do not use an open flame beneath the cooker hood. To avoid the danger of fire, do not flambé or grill over an open flame.

When switched on, the cooker hood could draw flames into the filter. Fat particles drawn into the cooker hood present a fire hazard.

▶ When using the cooker hood over a gas hob, ensure that any burners in use are always covered by a pan. Switch the cooking zone off when a pan is removed, even for a short time.

Regulate the flame so that it does not burn up the sides of the pan.

Do not allow the pans to overheat excessively (e.g. when using a wok).

The cooker hood can become damaged when exposed to excessive heat.

▶ Always switch the cooker hood on when using the hob, otherwise condensation may collect in the hood, which could cause corrosion.

▶ When cooking with oil or fat, chip pans and deep fat fryers etc, do not leave the pans unattended. Never leave an open grill unattended when grilling. Overheated oil and fat can ignite and could set the cooker hood on fire.

▶ Do not use the cooker hood without the filters in place. This way you will avoid the risk of grease and dirt getting into the appliance and hindering its smooth operation.

▶ The filters should be regularly cleaned or changed as appropriate. Saturated filters are a fire hazard. See "Cleaning and care".

▶ The cooker hood can get very hot during cooking due to heat rising from the hob.

Do not touch the housing or the grease filters until the cooker hood has cooled down.

▶ Do not use a steam-cleaner to clean this appliance. Steam could reach electrical components and cause a short circuit.

▶ Important information on the handling of the battery in the remote control:

- Do not short circuit or recharge the battery, or throw it into a fire. Danger of explosion.
- Dispose of the used battery in your recycling bin. Do not dispose of it with the normal household waste.

Warning and Safety instructions

Correct installation

- ▶ Refer to the cooker or hob manufacturer's instructions as to whether a cooker hood may be operated above the cooker/hob.
- ▶ The minimum safety distances between the top of the cooker or hob and the bottom of the cooker hood given in the "Appliance dimensions" section of this booklet must be maintained, unless the hob manufacturer states that a greater safety distance is required.

If more than one cooking appliance is fitted beneath the cooker hood, and they have different minimum safety distances to the cooker hood, select the greater distance.

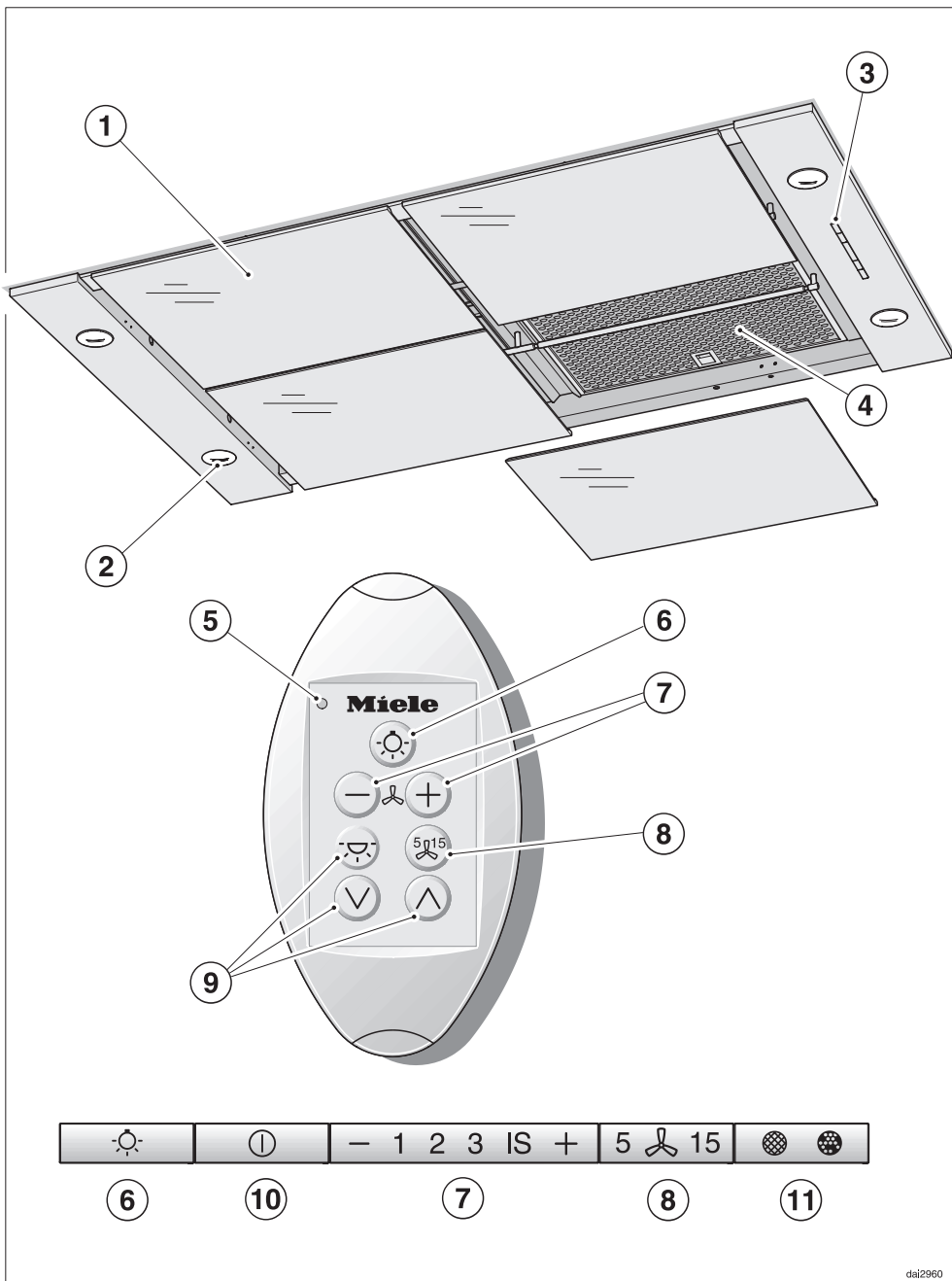
- ▶ Safety regulations prohibit the fitting of a cooker hood over solid fuel stoves.
- ▶ All ducting, pipework and fittings must be of non-flammable material. These can be obtained from the Miele Spare Parts department or from builders' merchants.
- ▶ The appliance must not be connected to a chimney or vent flue which is in use. Neither should it be connected to ducting which ventilates rooms with fireplaces.
- ▶ If exhaust air is to be extracted into a chimney or ventilation duct no longer used for other purposes, seek professional advice.

Accessories

- ▶ Only use genuine Miele original spare parts and accessories with this appliance. If spare parts or accessories from other manufacturers are used, this will invalidate the guarantee, and Miele cannot accept liability.

The manufacturer cannot be held liable for damage caused by non-compliance with these Warning and Safety instructions.

Guide to the appliance



dal2960

① Edge extraction panels

DRP 2900 Glass (4 panels) or
DRP 2900 Stainless steel (4 panels)

② Hob lighting

③ Controls

④ Grease filter

⑤ Indicator light

The indicator light will light up briefly when a function is selected using the remote control.

⑥ Hob lighting button

⑦ Buttons for selecting the fan power level

On the remote control, these buttons can also be used to switch the fan on and off.


⑧ Button for the run-on option


The fan can be set to switch off automatically after either 5 or 15 minutes.

⑨ These buttons have no allocated function for this cooker hood

⑩ On/Off button for the fan

⑪ Operating hours button

The grease filter symbol  for the operating hours button lights up when the grease filters need to be cleaned.

The charcoal filter symbol  lights up when the charcoal filters used in recirculation mode need to be replaced. For this to happen, the operating hours counter needs to be activated before the appliance is used for the first time (only applies if the cooker hood has been fitted with DUU 2900 conversion kit for recirculation).

This button is used to reset the appropriate operating hours counter each time the grease filters are cleaned or the charcoal filters have been replaced (see "Cleaning and care").

It can also be used to check and alter the operating hours counter.

For information about using the appliance, see "Operation".

Description of the functions

The cooker hood works with

. . . air extraction:

The cooker hood draws in the cooking vapours. First, the air is drawn in via the edge extraction panels. It is then guided through and cleaned by the grease filters before being directed outside.

The cooker hood operates with a **non-return flap**.

This flap is closed when the cooker hood is switched off, so that no exchange of room air and outside air can take place.

When the cooker hood is switched on, the non-return flap opens for the cooking vapours to be blown directly outside.

. . . air recirculation:

(DUU 2900 conversion kit for recirculation required)

The air is drawn in through the edge extraction panels and then cleaned by the grease filters. It is then directed into the recirculation unit where it is also cleaned by the **charcoal filters**. The cleaned air is then recirculated back into the kitchen.

Before using the cooker hood in recirculation mode, ensure that the charcoal filters are in place. See Cleaning and care.

. . . an external motor:

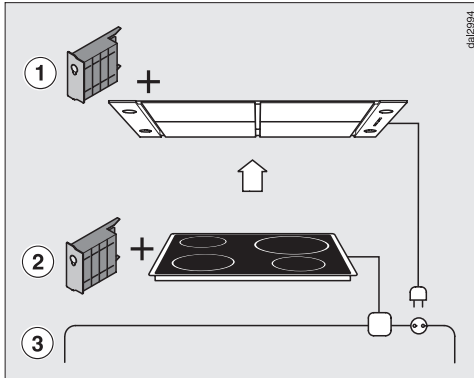
(EXT models only)

EXT models are designed to be connected to an external motor located outside the room.

The external motor is connected to the cooker hood by means of a control cable, and is operated by the controls on the cooker hood.

Con@ctivity

This cooker hood is communication enabled.



Communication module XKM 2000 DA ①, available as an optional extra, enables the operation of the cooker hood to be automatically controlled by the operating status of a Miele electric hob with onset controls.

For communication to take place, the hob must be fitted with the appropriate communication module ②.

The hob transmits information about its operating status to the cooker hood via the household power supply (Powerline) ③.

- When the hob is switched on the cooker hood hob lighting also comes on and then after a short time the fan switches on.
- During cooking the cooker hood automatically sets its power level according to the number of cooking zones in operation and their power levels.
- After switching the hob off the fan and the hob lighting will switch off automatically after a period of time.

For detailed information about this function please read the separate instruction booklet supplied with the XKM 2000 DA communication module.

The communication module is fitted to the cooker hood in the area of the motor and is connected to the controls of the cooker hood.

This module must be installed by a Miele service technician or suitably qualified electrician.

Operation

Remote control

The main functions can be selected via the cooker hood or by remote control. The indicator light on the remote control unit will light up briefly when a function is selected by remote control.

The maximum operating range of the remote control is approx. 10 m. However, this may be less depending on the physical conditions present in the room (e.g. furniture, walls).

The back of the remote control unit is magnetic which allows it to be attached to various metal surfaces.

Interaction with other remote control systems

In instances where the remote control is affected by the remote control of a similar type of cooker hood in the immediate vicinity, the remote control coding can be altered.

Please contact the Miele Service Department (see "After Sales Service").

To switch the fan on ①

■ Press the **+** button on the remote control.

or

■ Press the On/Off button ① on the cooker hood.

The fan will switch on at power level **2**. The ① symbol and **2** will light up on the control panel of the cooker hood.

To select a power level – / +

The power level for the fan can be selected either on the cooker hood or by using the remote control.

■ Press the **–** symbol to select a lower power level or the **+** symbol to select a higher power level.

Depending on the intensity of the cooking vapours, levels **1** to **3** are usually sufficient for normal cooking.

Intensive setting

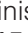


For short periods of cooking food with intensive vapours and a strong aroma, e.g. when searing meat, you may wish to select level **IS**, the Intensive setting.



Run-on option 5 15

It is advisable to run the fan for a few minutes after cooking has finished to neutralise any lingering odours in the air, whether you are using air extraction or recirculation mode.



The fan can be set to switch off automatically after 5 or 15 minutes.

The Run-on option can be selected either on the cooker hood or by using the remote control.

- After cooking has finished, press the Run-on button **5  15** whilst the fan is still running
- Press once = The fan will switch off after 5 minutes (**5  15** will light up).
- Press twice = The fan will switch off after 15 minutes (** 15** will light up).


If you press the Run-on button **5  15** again, the fan remains on (**5  15** will go out).


To switch the fan off

- Reduce the power level by pressing the – button on the remote control until the fan switches off,
or
 - Press the On/Off button  on the cooker hood to switch the fan off.
- The  symbol will go out.

Hob lighting

The hob lighting can be switched on and off independently of the fan.

- Press the lighting button  on the remote control or on the cooker hood.

The  symbol lights up when the lighting is switched on.




Operation

Power management


The cooker hood features a power management system for switching off the lighting and reducing the fan power level automatically.

- The lighting will switch off automatically after 12 hours.
- If the Intensive setting is selected, the fan will automatically revert to level 3 after 10 minutes, to level 2 after 2 hours and then after a further 30 minutes to level 1. Finally, after a further 30 minutes the fan will switch off.
- If power level 2 or 3 is selected, the fan will revert to a lower setting after 2 hours and then in 30-minute stages until it switches off.
- If level 1 is selected, the fan will switch off after 2 hours.

Power management can be deactivated. This can only be done via the control panel on the cooker hood. It cannot be deactivated using the remote control.

- Press the Run-on option button **5**  **15** for approx. 10 seconds until **1** lights up in the power level display.
- Then press in turn –
 - the lighting button ,
 - the – button, and
 - the lighting button  again.


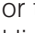
If Power management is activated, **1** and **IS** will light up constantly.

- Press the – button to deactivate Power management. **1** and **IS** will flash. Press + if you want to activate it again.
- Confirm your selection by pressing the Run-on option button **5**  **15**.

If you do not confirm within 4 minutes, the cooker hood will automatically revert to the original setting.

Filter operating hours counter

The number of hours the cooker hood has been in operation is stored in memory.

The Grease filter symbol  or the Charcoal filter symbol  will light up to tell you that the filters need to be cleaned or changed.




See "Cleaning and care" for further information about cleaning and changing the filters and resetting the operating hours counters.


Altering the grease filter operating hours counter

You can set the operating hours counter for the grease filter to suit the type of cooking you do.

- Select a short time if you roast or fry a lot.
- If you use very little fat for cooking, select a longer time.
- If you only cook occasionally, we still recommend selecting a short time because grease which has built up gradually over a long period of time will harden on the filter and make cleaning more difficult.


The grease filter operating hours counter is set at the factory for 30 hours. This can be lengthened or shortened. You can choose 20, 30, 40 or 50 hours.

- Switch the fan off by pressing the On/Off button .
- Press the Run-on option button **5**  and the operating hours button  on the control panel on the cooker hood at the same time.

The Grease filter symbol  of the operating hours button and one of the fan power levels will flash.

Fan power level indicator lights **1** to **IS** show the time set:

- 1** 20 hours
- 2** 30 hours
- 3** 40 hours
- IS** 50 hours

- Press the **-** symbol to select a shorter operating time or the **+** symbol to select a longer operating time.
- Confirm your selection by pressing the operating hours button .

All the indicator lights will go out.

If you do not confirm within 4 minutes, the cooker hood will automatically revert to the original setting.

Operation



Activating and altering the charcoal filter operating hours counter


(recirculation mode with conversion kit fitted)

The charcoal filter is needed for recirculation mode.

On delivery, the operating hours counter for the charcoal filter is **deactivated**.


For recirculation mode, the operating hours counter needs to be set to suit the type of cooking you do.

- Switch the fan off by pressing the On/Off button .
- Press the **+** symbol and the operating hours button  on the control panel on the cooker hood at the same time.

The Charcoal filter symbol  of the operating hours button and one of the fan power levels will flash.

Fan power level indicator lights **1** to **IS** show the time set:

- 1** 120 hours
- 2** 180 hours
- 3** 240 hours
- IS** Deactivated





- Press the **-** symbol to select a shorter operating time or the **+** symbol to select a longer operating time.
- Confirm your selection by pressing the operating hours button .

All the indicator lights will go out.

If you do not confirm within 4 minutes, the cooker hood will automatically revert to the original setting.

Checking the filter operating hours counter

To check the percentage of time set already used:


- Switch the fan on with the On/Off button .
- Press and hold the operating hours button  on the cooker hood control panel:
 - Once, to read the grease filter operating hours. The Grease filter symbol  will light up.
 - Twice, to read the charcoal filter operating hours. The Charcoal filter symbol  will light up.

One or more of the power level indicators will flash at the same time.

The number of flashing indicator lights shows the percentage of the operating time which has already been used up:

- 1** 25 %
- 1** and **2** 50 %
- 1** to **3** 75 %
- 1** to **IS** 100 %

The number of operating hours used remains in the memory, even when the cooker hood is switched off or there is a power cut.

 Before any cleaning or maintenance work is carried out, disconnect the cooker hood from the mains supply.

Do not use too much water when cleaning the controls. Water could penetrate into the electronics and cause damage.

Housing

General

The surfaces and controls are susceptible to scratches and abrasion. Please observe the following cleaning instructions.

- All external surfaces and controls can be cleaned using a Miele E-Cloth or with warm water and a little washing-up liquid applied with a well wrung-out soft sponge or cloth.

- Wipe the surfaces dry using a soft cloth.

Avoid:

- cleaning agents containing soda, acids, chlorides or solvents,
- abrasive cleaning agents, e.g. powder cleaners or cream cleaners, and abrasive sponges, as well as pot scourers or sponges which have been previously used with abrasive cleaning agents. These will damage the surface material.
- sharp metal scrapers,
- oven sprays.

Important for appliances with stainless steel housing

(This information does not apply to the controls).

Stainless steel surfaces can be cleaned using Miele's non-abrasive cleaning agent for stainless steel, following the instructions on the packaging.

To help prevent re-soiling, Miele conditioning agent for stainless steel can also be used. Follow the instructions on the packaging.

Cleaning and care

Important for appliances with glass surfaces

Glass surfaces can be cleaned using a proprietary non-abrasive cleaning agent designed specifically for use on glass.

Important for appliances with lacquered housing

(Special order finish)

It is very difficult to clean this type of surface without causing minor marks to the surface material. This can become particularly noticeable with darker colours and if there is halogen lighting in the kitchen.

Controls


The controls may suffer discolouration or damage if soiling is left on them for too long. Remove soiling straight away.

Please observe the General notes on cleaning earlier in this section.


Do not use stainless steel cleaning agents on the controls.

Panels and grease filters

The edge extraction panels and the re-usable metal grease filters in the appliance remove solid particles (grease, dust, etc.) from the kitchen vapours, preventing soiling of the cooker hood.

Clean the panels and grease filters regularly but always clean them immediately if the Grease filter symbol  of the operating hours button lights up.

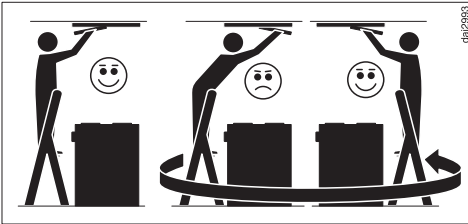
We recommend cleaning them at least every 3-4 weeks. Otherwise grease which builds up on the panels and grease filters over a long period of time can harden, making cleaning more difficult.

 An oversaturated filter is a fire hazard.

Cleaning and care

- The panels and grease filters need to be removed for cleaning.

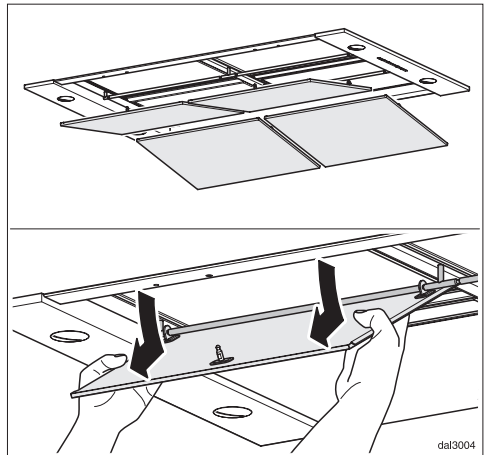
During cooking condensation forms on the panels, which evaporates after cooking. To avoid this dripping on you, do not remove the panels for approximately two hours after cooking has finished.



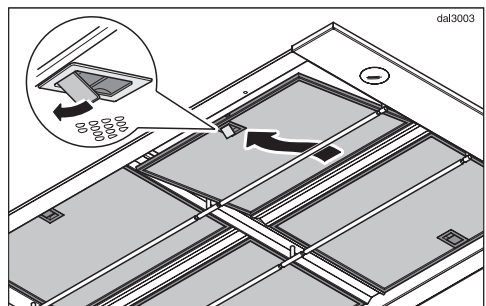
⚠ Before removing the panels, please note the following if the cooker hood is installed in the ceiling:

- Make sure that you use a stable and secure ladder.
- Make sure that you stand on the ladder in a safe way.
- Do not lean over the hob.
- Do not stand on the worktop or the hob.

To avoid damaging the filters, panels or the hob below, make sure you hold the filters and panels securely at all times when handling them.



- To remove a panel, hold it at the sides, as shown. Pull it downwards out of the front locking clip, unhook it at the back and remove it.



- To take out a grease filter, release the locking clip on the filter, lower the filter slightly, unhook it at the back and remove it.

Cleaning and care

Cleaning the panels by hand

- See the notes under "Housing".

Cleaning the grease filters by hand

- Clean the filters with a soft nylon brush in a mild solution of hot water and a little washing-up liquid. Do not use "neat" washing-up liquid.

Avoid:

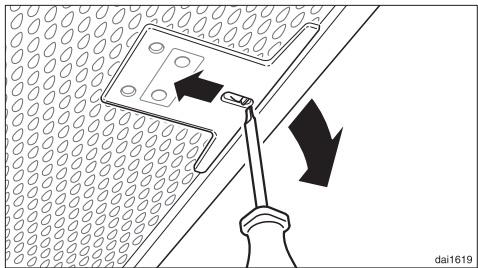
- cleaning agents containing descaling agents,
- powder cleaners, cream cleaners or abrasive all-purpose cleaners.
- oven sprays.

Cleaning the grease filters and panels in the dishwasher

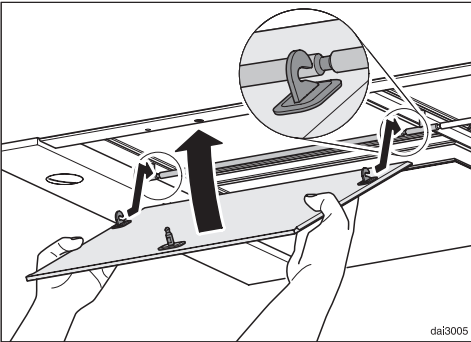
- Place the filters and panels as upright as possible in the lower basket, with the short sides upright. Make sure that the spray arm can move freely.
- Select a programme with a maximum temperature of 65° C. If a Miele dishwasher is being used, select the Sensor wash programme.
- Use a mild dishwasher detergent.

Depending on the dishwasher detergent used, cleaning the filters in a dishwasher can cause permanent discolouration to the surface. However, this will not affect the functioning of the filters in any way.

- After cleaning, leave the filters to dry on an absorbent surface before replacing them.
- When removing the panels and grease filters for cleaning, also clean off any residues of oil or fat from the now accessible housing to prevent the risk of these catching fire.
- Replace the grease filters, making sure that the locking clips are facing down towards the hob.





- If a grease filter is inadvertently replaced upside down, insert a small screwdriver blade into the slit to disengage the clip.




- To replace a panel, hold it firmly with both hands, hook it over the retaining bar (see detail in the illustration), tilt the panel upwards and press it into the locking clip at the front until you hear it click into position.

Resetting the grease filter operating hours counter

After cleaning, the operating hours counter needs to be reset.

- Whilst the fan is switched on, press the operating hours button  for approx. 3 seconds until only the **1** is flashing.
The Grease filter symbol  goes out.

If you want to clean the grease filters **before** the operating hours counter has reached its maximum:

- Press the operating hours button  for approx. 6 seconds until only the **1** is flashing.

Cleaning and care


Fitting and replacing the charcoal filters

If the cooker hood is connected for recirculation, two active charcoal filters must be inserted in the separate recirculation unit.

When fitting for the first time:

- Activate the operating hours counter (see "Operation").

Always replace the charcoal filters immediately if

- the Charcoal filter symbol  of the operating hours button lights up,

or


- they are no longer effective at absorbing kitchen odours.


They should, however, be replaced at least every 6 months.

Used charcoal filters can be disposed of with normal household waste.


Resetting the charcoal filter operating hours counter

After replacing the charcoal filters, the operating hours counter needs to be reset.

- To do this, with the fan switched on, press the operating hours button  **twice**. Hold the second press for approx. 3 seconds until only the **1** is flashing.

The Charcoal filter symbol  will go out.

If you want to replace the charcoal filters **before** the operating hours counter has reached its maximum:

- Press the operating hours button  **twice** and hold the second press for approx. 6 seconds until only the **1** is flashing.

Remote control

The surface should be wiped with a damp cloth only. Only use a damp cloth as water could get into the unit and cause damage.

Replacing the battery

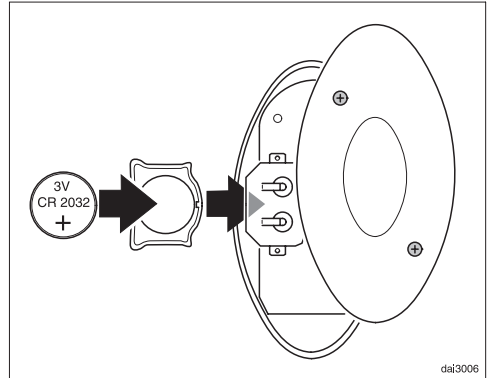
The remote control uses one 3 V, CR 2032 battery.

Only use a battery of the type quoted above.
Rechargeable batteries must not be used.

The battery needs to be replaced if you can no longer use the remote control to select cooker hood functions.

The battery should also be replaced if the indicator light on the remote control unit no longer lights up or only lights up very dimly when you press one of the buttons.

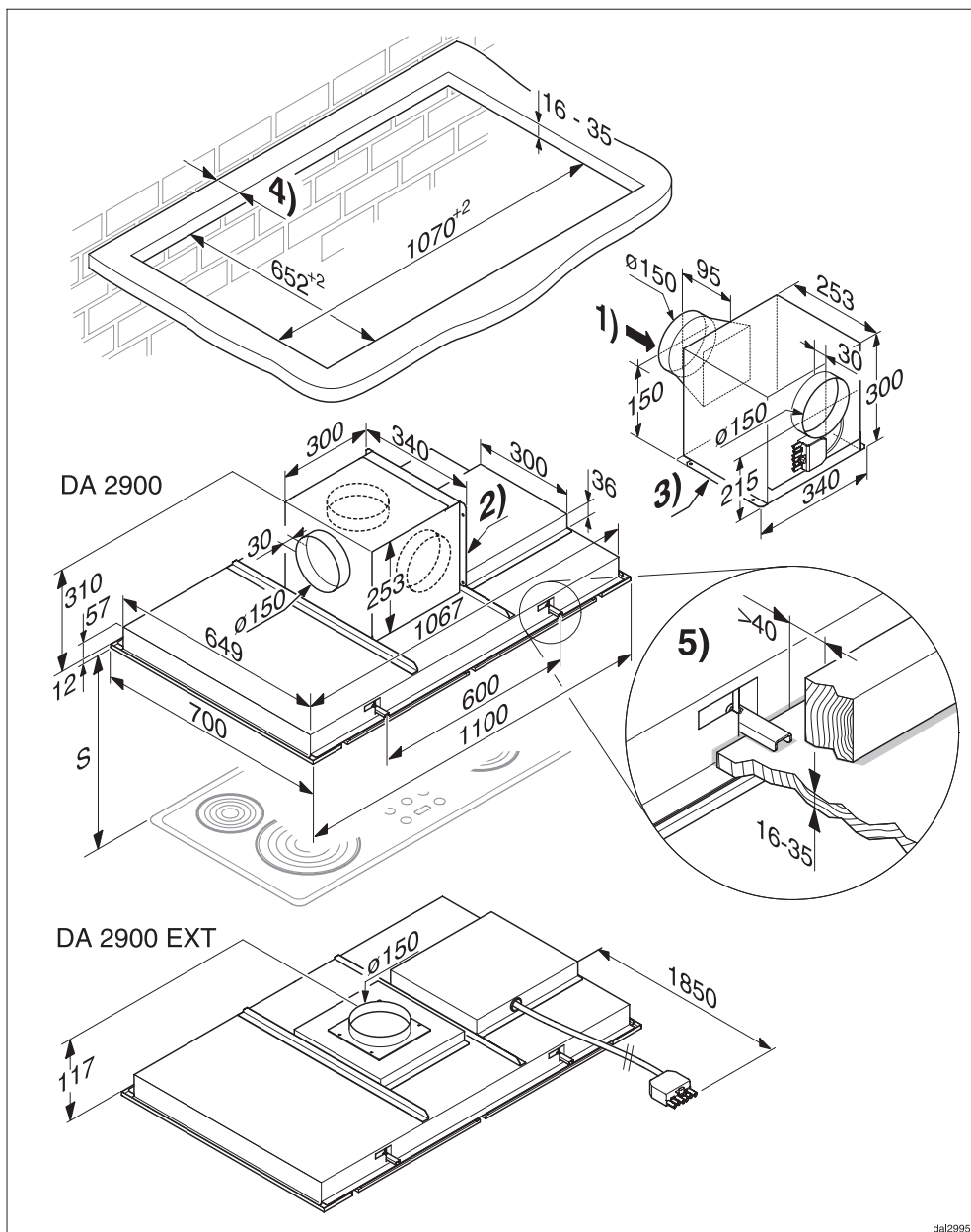
You will still be able to use the control panel on the cooker hood to select functions.



- Use a suitable screwdriver to undo the two screws on the back of the remote control unit and remove the cover.
- Take out the battery and replace it with a new one, making sure the polarity is correct.
- Dispose of the used battery in your recycling bin.

Installation

Appliance dimensions



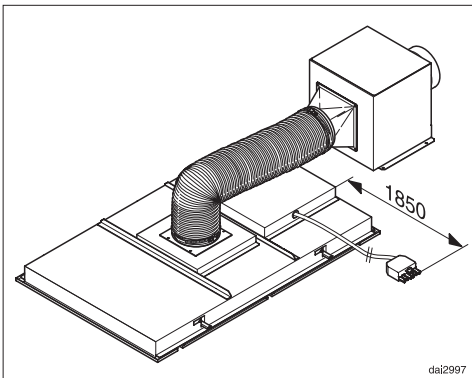
dai2995

Please see the following pages for more details on the diagrams.

⚠ Before installation, it is important to read the information given on the following pages as well as the "Warning and Safety instructions" at the beginning of this booklet. This is particularly crucial when using the cooker hood at the same time as a heating appliance that relies on oxygen from the same room to avoid the danger of toxic fumes building up.

Notes on the Appliance dimension drawing:

- 1) Suction side
- 2) Motor can be rotated. Exhaust socket can be fitted at the top or the sides in any direction.



3) The motor unit can be freely positioned. Connection to the appliance is via the exhaust ducting and the connection cable.

Please take the length of the connection cable into account when selecting the installation location. The installation location must be easily accessible. This is also important if the appliance needs to be serviced.

4) If the cooker hood is being installed near to a wall, a minimum distance of at least 50 mm must be observed so that the edge extraction panels and the grease filters can be removed easily.

5) The cooker hood is secured in the cut-out by clamps. This requires that the ceiling is made of a solid material, such as wood.

⚠ Make sure the material is strong enough to bear the weight of the cooker hood.

There must be a minimum distance of 40 mm between the areas around the clamps and any structures or components, such as struts or cables.

Installation

Safety distance between hob and cooker hood (S)

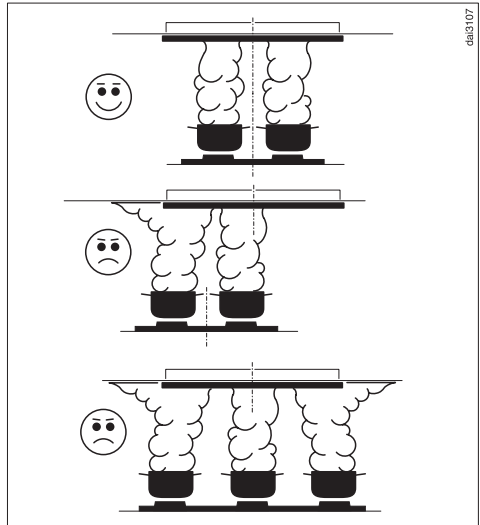
The following **minimum** safety distance must be maintained between the top of the cooker/hob and the bottom of the cooker hood unless a greater distance is specified by the manufacturer of the cooker or hob:

Cooking appliance	Distance S
Electric hob	450 mm
Open Grill	650 mm
Deep fat fryer (electric)	650 mm
Multi-burner gas hob with a maximum total output of 12.6 kW, no burner exceeding 4.5 kW.	650 mm
Multi-burner gas hob with a total output of more than 12.6 kW, or a multi-burner gas hob where one burner exceeds 4.5 kW.	760 mm
Single gas burner with a maximum output of 6 kW.	650 mm
Single gas burner with output exceeding 6 kW.	760 mm

See "Warning and Safety" instructions for further information.

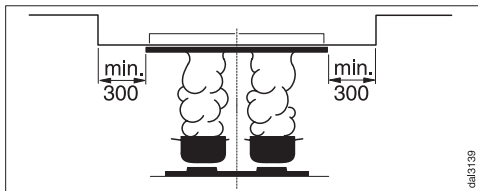
- However, we recommend a minimum distance of 700 mm and a maximum distance of 1300 mm.

Please be aware that if positioned too high, extraction will be inefficient.



The cooker hood must cover the hob to ensure optimum extraction of cooking vapours:

- The cooker hood should be positioned centrally over the hob, not offset to one side or to the rear.
- The hob should be smaller than the cooker hood if possible, and no larger than equal size.



- If the cooker hood is being installed in a suspended ceiling, the installation surface all around the cooker hood must be at least 300 mm larger than the cooker hood itself.

Installation instructions

- See the enclosed Installation sheet for instructions on how to install this appliance.

Connection for air extraction

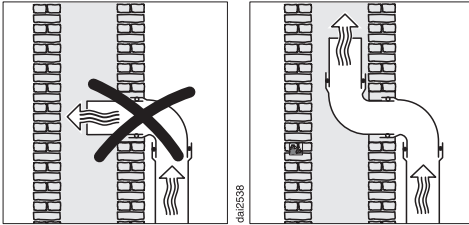
Important: To avoid the danger of toxic fumes, please observe the Warning and Safety instructions. This is especially crucial when using the cooker hood at the same time as another heating appliance which relies on air from the same room. The cooker hood should be installed according to local building regulations. Seek approval from the building inspector where necessary.

- Only use smooth pipes or flexible hoses made from non-flammable materials for the extraction ducting.
- When using an external motor, make sure that the exhaust ducting is sufficiently rigid. The external motor can cause an underpressure which could result in the exhaust ducting distorting.

To achieve the greatest possible air extraction with the lowest noise level, please note the following:

- To ensure efficient air extraction, the diameter of the exhaust ducting should not be less than 150 mm.
- If flat ducting is being used, the cross-sectional area must not be smaller than the cross-sectional area of the exhaust connection.
- All ducting, pipework and fittings must be of non-flammable materials.
- The exhaust ducting should be as short and straight as possible.
- Only use wide radius bends.
- The exhaust ducting should not be kinked or compressed.
- Ensure that all connections are strong and airtight.
- Where ducting is horizontal, it must be laid to slope away by at least 1 cm per metre. This is to ensure that condensate cannot drain back into the cooker hood.

- If the exhaust air is to be ducted into the open air, the installation of a telescopic wall vent or roof vent is recommended.



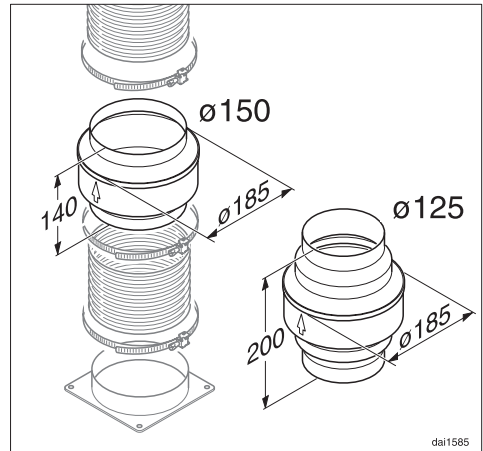
- If the exhaust air is to be ducted into a vent flue, the ducting must be directed in the flow direction of the flue.

Important

If the exhaust ducting is to run through rooms, ceiling space etc. where there may be great variations in temperature between the different areas, the problem of condensation will need to be addressed. The exhaust ducting will need to be suitably insulated.

Condensate trap

(optional accessory)



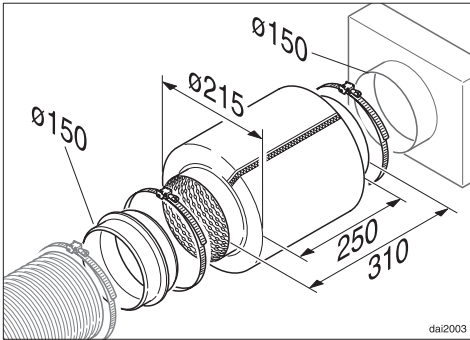
In addition to insulating the exhaust ducting, we recommend that a suitable condensate trap is also installed to collect and evaporate any condensate which may occur. Condensate traps are available for \varnothing 125 mm or \varnothing 150 mm ducting.

When installing a condensate trap, ensure that it is positioned vertically and if possible directly above the exhaust connection. The arrow on the housing indicates the direction of air-flow.

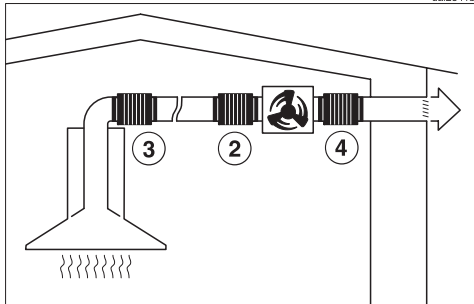
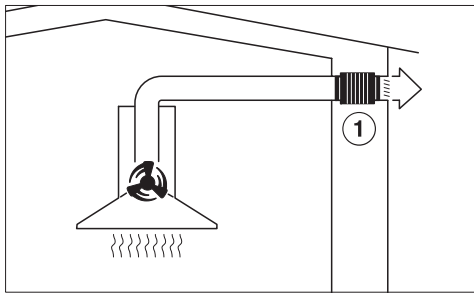
Connection for air extraction

Silencer

(optional accessory)



To achieve even further reductions in noise levels, a special silencer can be fitted in the ducting system.



...with air extraction:


The silencer not only reduces noise from the fan, but also sounds from outside (e.g. traffic noise). For this reason the silencer must be positioned as close as possible to the ducting exit ①.

...with air extraction with external motor:

To minimise noise from the motor in the kitchen, the silencer should be positioned in front of the external motor ② if possible, or if the ducting is long, then in the ducting above the cooker hood itself ③.

In the case of an external motor located inside the house, fitting a silencer behind the external motor ④ reduces the noise of the motor outside the house.

In all modes of operation, the most effective noise reductions are achieved if two silencers are fitted one behind the other in the system.

 All electrical work should be undertaken by a suitably qualified and competent person in strict accordance with current national and local safety regulations (BS 7671 in the UK).

Installation, repairs and other work by unqualified persons could be dangerous, for which the manufacturer cannot be held liable.

Ensure power is not supplied to the appliance until after installation or repair work has been carried out.

Do not connect the appliance to the mains electricity supply by an extension lead. These do not guarantee the required safety of the appliance.

The connection data is given on the data plate. (See "After Sales Service"). Ensure that this data matches the household mains supply.

Connection of this appliance should be made via a suitable isolator or a double pole fused spur connection unit which complies with national and local safety regulations and the On-Off switch should be easily accessible after the appliance has been built in.

When switched off there must be an all-pole contact gap of 3 mm in the switch (including switch, fuses and relays according to EN 60335).

If the switch is not accessible after installation (depending on country), an additional means of disconnection must be provided for all poles.

For extra safety it is advisable to protect the appliance with a suitable residual current device (RCD).

Important

This appliance is supplied for connection to an a.c. 230 V single phase 50 Hz supply.

The wires in the mains lead are coloured in accordance with the following code:

Green/yellow	= earth
Blue	= neutral
Brown	= live

WARNING:
THIS APPLIANCE MUST BE EARTHED

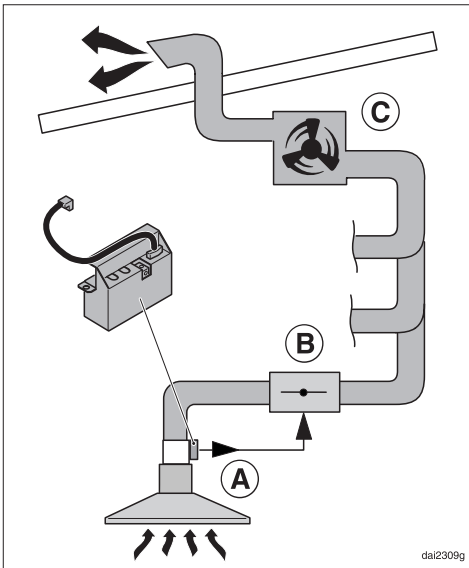
Operation with Control module DSM 400

The Miele DSM 400 control module (optional accessory) can be used to combine the cooker hood with other components.

It enables the following:

Potential free connection

This can be used to operate a further appliance via the On/Off button ① of the cooker hood.



The potential free contact on the DSM 400 ① can, for example, be used in a cooker hood with an external motor ...EXT, which is connected to a central ducting system.

The contact can then be used to operate an electrically driven non-return flap ② which is connected to the central extraction unit ③.

Components used in the central ducting system are not supplied by Miele.

If in any doubt, the advice of a competent builder or, for gas, a Gas Safe installer must be sought.

Connection to a push button switch

The control module can be used to switch on the cooker hood lighting via a push button switch in the house.

Installation

The control module is fitted onto the cooker hood housing.

The electrical connection of components to the control module must be carried out by a suitably qualified and competent person.

In the event of a fault which you cannot correct yourself, or if the appliance is under guarantee, please contact:

- Your Miele Dealer / Chartered Agent
- or
- The Miele Service Department (see back cover for address).

When contacting your Dealer or Miele, please quote the model and serial number of your appliance. These are shown on the data plate which is visible when the grease filter is removed.

For the U.K.: Please note that telephone calls may be monitored and recorded for training purposes.

N.B. A call-out charge will be applied for service visits where the problem could have been resolved as described in these instructions.

Guarantee

For information on the appliance guarantee specific to your country please contact Miele. See back cover for contact details.

In the U.K. your appliance is guaranteed for 2 years from the date of purchase. However, you must activate your cover by calling 0845 365 6640 or registering online at www.miele.co.uk

Technical data

Total connected load *	138 W
– Fan motor *	130 W
– Hob lighting	4 x 2 W
Voltage	AC 230 V
Frequency	50 Hz
Fuse rating	5 A
Weight	
DA 2900	24.9 kg
DA 2900 EXT	19.0 kg
Edge extraction panels	
DRP 2900 Glass	8.6 kg
DRP 2900 Stainless steel	4.5 kg

Declaration of Conformity

Miele hereby declares that the cooker hoods listed on the front of this booklet comply with the basic requirements and other relevant regulations of Guideline 1999/5/EC.

A copy of the full Declaration of Conformity can be obtained from the address on the back page.

Fan performance* according to EN 61591

Extraction power with Edge extraction panels, Ø 150 mm air extraction ducting:

Level 1	190 m ³ /h
Level 2	290 m ³ /h
Level 3	390 m ³ /h
Intensive setting	620 m ³ /h

* For ...EXT models the connected load and extraction power will depend on the type of external motor fitted.

Length of connection cable to external motor 1.85 m

United Kingdom

Miele Co. Ltd.
Fairacres, Marcham Road
Abingdon, Oxon, OX14 1TW
Tel: 0845 365 0555, Fax: 0845 365 0777
Customer Contact Centre Tel: 0845 365 6600
E-mail: info@miele.co.uk
Internet: www.miele.co.uk

Australia

Miele Australia Pty. Ltd.
ABN 96 005 635 398
1 Gilbert Park Drive, Knoxfield, VIC 3180
Tel: 1300 464 353, Fax: (03) 9764 7149
Internet: www.miele.com.au

China

Miele (Shanghai) Trading Ltd.
1-3 Floor, No. 82 Shi Men Yi Road
Jing' an District
200040 Shanghai, PRC
Tel: +86 21 6157 3500, Fax: +86 21 6157 3511
E-mail: mieleshanghai@cn.miele.com
Internet: www.miele.cn

Miele (Hong Kong) Limited

41/F - 4101, Manhattan Place
23 Wang Tai Road
Kowloon Bay
Hong Kong
Tel: (852) 2610 1331, Fax: (852) 2610 1013
Email: mielehk@miele.com.hk

India

Miele India Pvt. Ltd.
Ground Floor, Copia Corporate Suites
Plot No. 9, Jasola
New Delhi - 110025
Tel: 011-46 900 000, Fax: 011-46 900 001
E-mail: customercare@miele.in, Internet: www.miele.in

Ireland

Miele Ireland Ltd.
2024 Bianconi Avenue
Citywest Business Campus, Dublin 24
Tel: (01) 461 07 10, Fax: (01) 461 07 97
E-Mail: info@miele.ie, Internet: www.miele.ie

Manufacturer: Miele & Cie. KG

Carl-Miele-Straße 29, 33332 Gütersloh, Germany



Malaysia

Miele Sdn Bhd
Suite 12-2, Level 12
Menara SapuraKencana Petroleum
Solaris Dutamas No. 1, Jalan Dutamas 1
50480 Kuala Lumpur, Malaysia
Phone: +603-6209-0288
Fax: +603-6205-3768

New Zealand

Miele New Zealand Limited
Unit L, 10-20 Sylvia Park Road
Mt. Wellington, 1060, Auckland, NZ
Tel: 0800 264 353, Fax: 0800 463 453
Internet: www.miele.co.nz

Singapore

Miele Southeast Asia
Miele Pte. Ltd.
163 Penang Road
04 - 02/03 Winsland House II
Singapore 238463
Tel: +65 6735 1191, Fax: +65 6735 1161
E-Mail: infosea@miele.com.sg
Internet: www.miele.sg

South Africa

Miele (Pty) Ltd
63 Peter Place, Bryanston 2194
P.O. Box 69434, Bryanston 2021
Tel: (011) 875 9000, Fax: (011) 875 9035
E-mail: info@miele.co.za
Internet: www.miele.co.za

United Arab Emirates

Miele Appliances Ltd.
P.O. Box 11 47 82
Gold & Diamond Park
Sheikh Zayed Road
Building 6 / Offices Nos. 6-214 to 6-220
Dubai
Tel: +971-4-341 84 44
Fax: +971-4-341 88 52
E-Mail: info@miele.ae, Internet: www.miele.ae